

PRODUCT INFORMATION PACKET

Model No: 5KC49UN6067

Catalog No: C1404

1/2 HP General Purpose Motor, 1 phase, 1200 RPM, 115/230 V, 56C Frame, TEFC
Single Phase TEFC Motors



Regal and Marathon are trademarks of Regal Beloit Corporation or one of its affiliated companies.
©2020 Regal Beloit Corporation, All Rights Reserved. MC017097E

REGAL

Nameplate Specifications

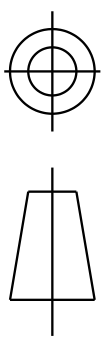
Output HP	0.50 Hp	Output KW	0.37 kW
Frequency	60 Hz	Voltage	115/230 V
Current	9.4,4.7 A	Speed	1140 rpm
Service Factor	1	Phase	1
Efficiency	57.5 %	Power Factor	0
Duty	Continuous	Insulation Class	B
KVA Code	K	Frame	56C
Enclosure	Totally Enclosed Fan Cooled	Thermal Protection	N/R
Ambient Temperature	40 °C	Drive End Bearing Size	6203
Opp Drive End Bearing Size	6203	UL	Recognized
CSA	Yes	CE	N

Technical Specifications

Electrical Type	Capacitor Start Induction Run	Starting Method	SM
Poles	6	Rotation	Counterclockwise/Clockwise
Mounting	Round	Motor Orientation	ANY
Drive End Bearing	BALL	Opp Drive End Bearing	Ball
Frame Material	Rolled Steel	Overall Length	12.93 in
Frame Length	7.68 in	Shaft Diameter	0.630 in
Shaft Extension	1.88 in		
Connection Drawing	52A105381BA	Outline Drawing	52A107671P7

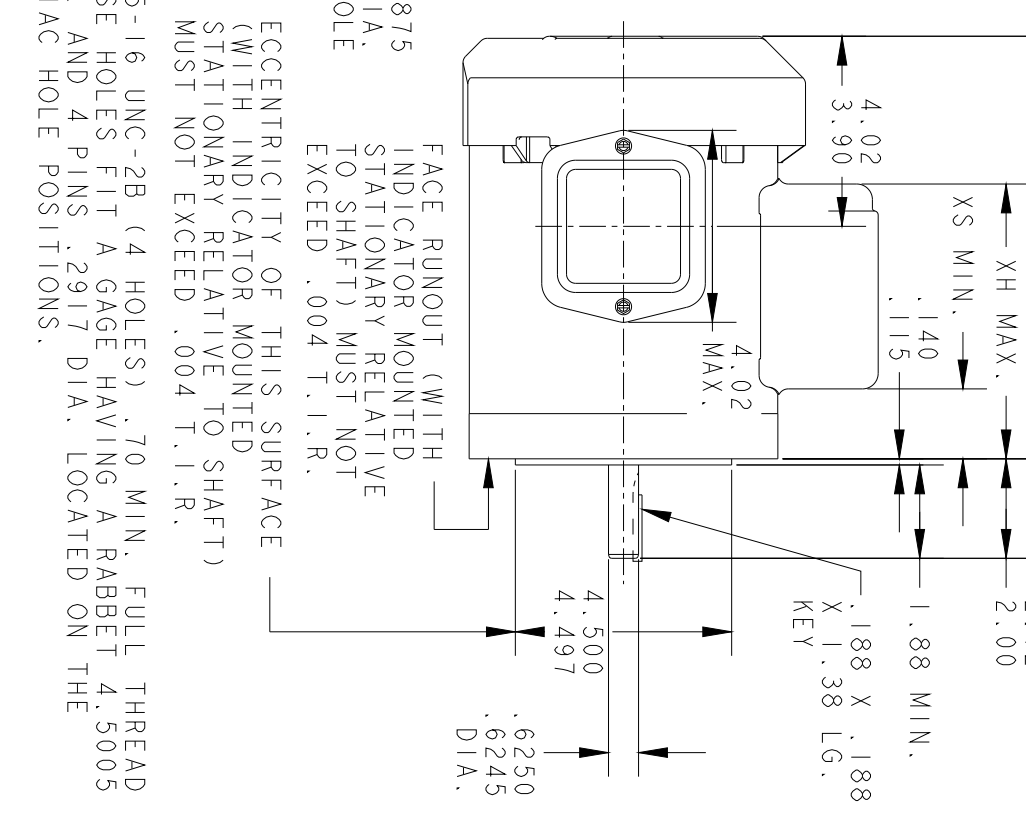
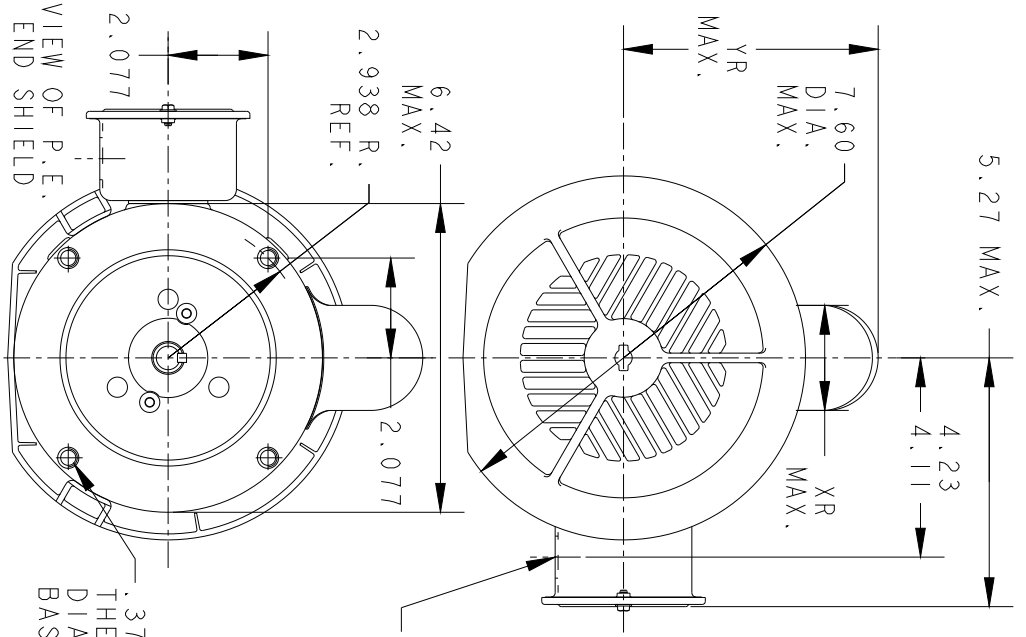
This is an uncontrolled document once printed or downloaded and is subject to change without notice. Date Created:03/11/2020

THIRD ANGLE PROJECTION



REVISIONS

REV.	DESCRIPTION	DATE	APPROVED
12	CHG TO RBC FORMAT PER ISO5-1777	03/01/06	SUDHA



ECCENTRICITY OF THIS SURFACE (WITH INDICATOR MOUNTED STATIONARY RELATIVE TO SHAFT) MUST NOT EXCEED .004 T.I.R.

FACE RUNOUT (WITH INDICATOR MOUNTED STATIONARY RELATIVE TO SHAFT) MUST NOT EXCEED .004 T.I.R.

.375-16 UNC-2B (4 HOLES) .70 MIN. FULL THREAD THESE HOLES FIT A GAGE HAVING A RABBIT 4.5005 DIA. AND 4 PINS .2917 DIA. LOCATED ON THE BASIAC HOLE POSITIONS.

7	KC	49	56C	12.93	10.81	7.56	5.45	2.22	1.89	7.68
6	KC	49	56C	11.40	9.28	6.03	4.76	1.60	1.57	6.15
5	KC	49	56C	12.44	10.32	7.54	4.72	1.60	1.79	7.15
4	KC	49	56C	12.97	10.85	7.61	5.45	2.40	1.86	7.68
3	KC	46	56C	11.84	9.72	6.94	5.45	2.40	1.19	6.55
2	KC	46	56C	11.84	9.72	6.95	5.34	2.22	2.41	6.55
1	KC	42	56C	11.01	8.89	6.12	5.34	2.22	1.58	5.72
P	TYPE	GE SIZE	NEMA FR.	C	AG	XH	YR	XR	XS	MIN. SHELL

SIGNATURES		DATE
MODEL	M.D. PAPE	04/23/91
DETAIL		
CHECKED		
ENGRG		
MFG		
QUALITY		
ISSUED	M.D. PAPE	05/10/94
FOR ADDITIONAL INFO REFER TO:		
APPLIED PRACTICES		
DIMENSIONS ARE IN INCHES		
MATERIAL	SOLID MODEL: 52A107671	

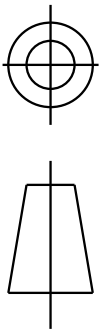


REGAL-BELOTT CORPORATION

OUTLINE

TITLE
FMF - 40 FRAME REDESIGN GENERAL PURPOSE MOTOR - TEFC - BALL BEARING - R2 END MOUNTED

SIZE: DRAWING A
 SCALE: 0.250 REF. No.:
 52A107671 REV 12
 SHEET 1 of 1



THIRD ANGLE PROJECTION

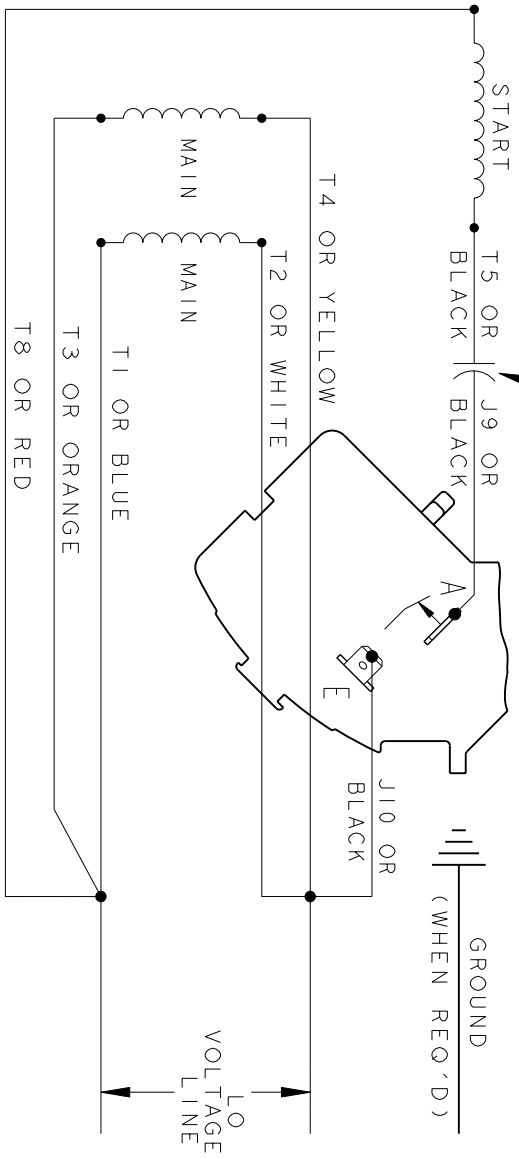
REVISIONS

REV.	DESCRIPTION	DATE	APPROVED
3	UPDATED FORMAT	01/04/06	MAM

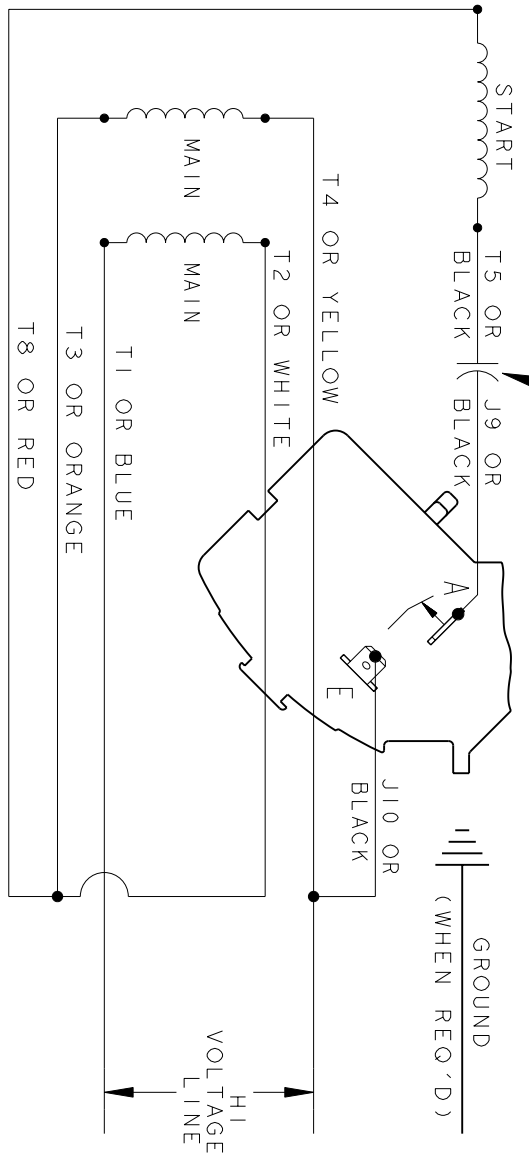
3

CCW/CW ROTATION - DUAL VOLTAGE
TYPE KC OR KH

CAPACITOR AS SHOWN FOR KC MOTORS ONLY. LEAD T5 BLACK CONNECTED DIRECTLY TO TERMINAL BOARD FOR KH MOTORS.



CAPACITOR AS SHOWN FOR KC MOTORS ONLY. LEAD T5 BLACK CONNECTED DIRECTLY TO TERMINAL BOARD FOR KH MOTORS.



NOTE#1 - TO REVERSE ROTATION, INTERCHANGE T8 RED AND J10 BLACK LEADS.
NOTE#2 - WHEN MORE THAN ONE CAPACITOR IS USED, CONNECT IN PARALLEL.

SWITCH (H) - 115D958AA

REF. DIAG. - 113A326

CONNECTION LABEL - 52X332917



REGAL-BELOLT CORPORATION

CONNECTION DIAGRAM

SIGNATURES		DATE
MODEL	M.D. PAPER	06/29/87
DETAIL		
CHECKED		
ENGRG		
MFG		
QUALITY		
ISSUED	M.D.P.	06/29/87
SOLID MODEL: 52A105381BA		

TITLE	FME: 30 FRAME SWITCH REDESIGN	REV
SIZE DRAWING	A	3
SCALE: 1.000	REF. No: .	SHEET 1 of 1